

TRANSFORMERS



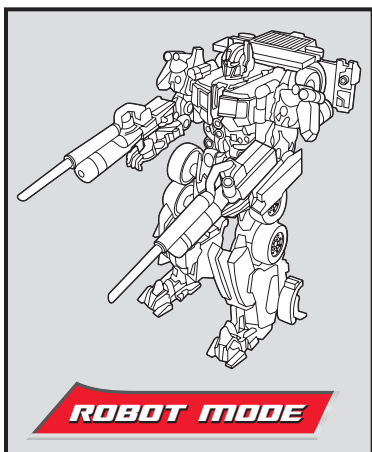
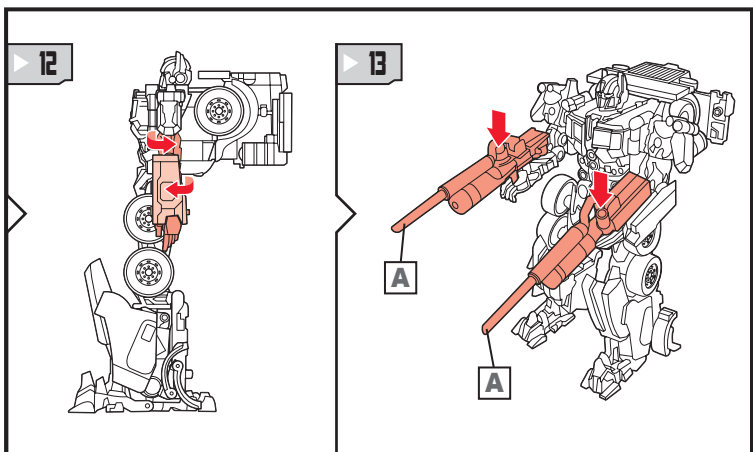
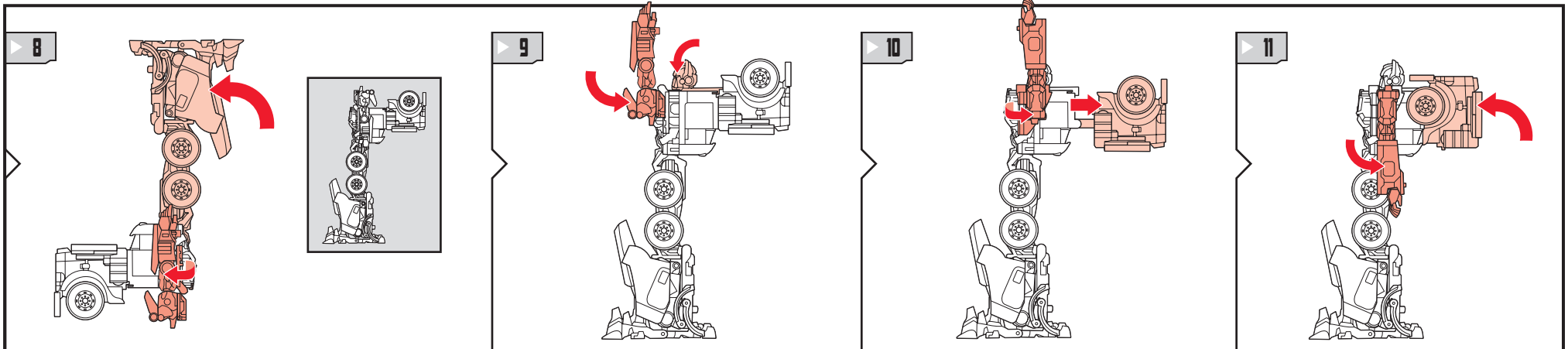
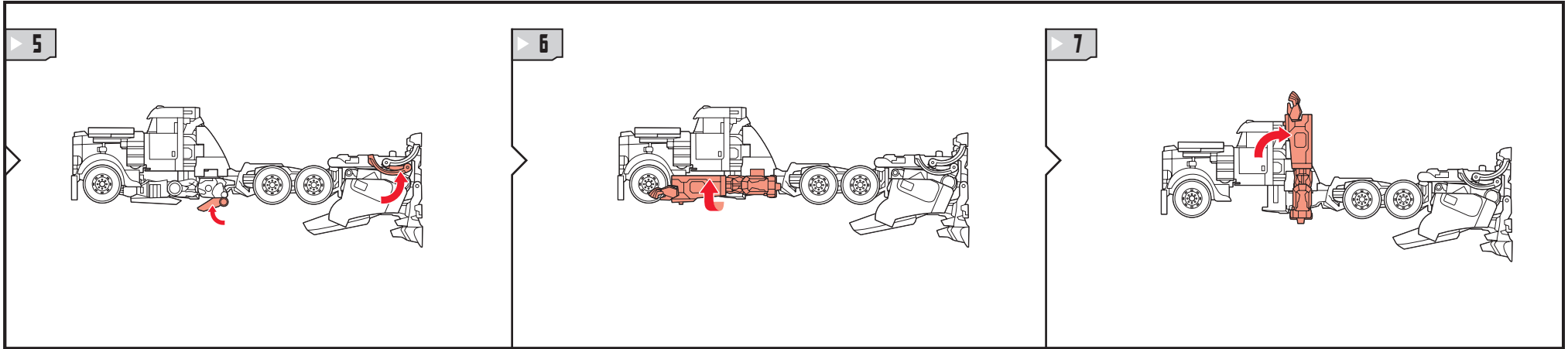
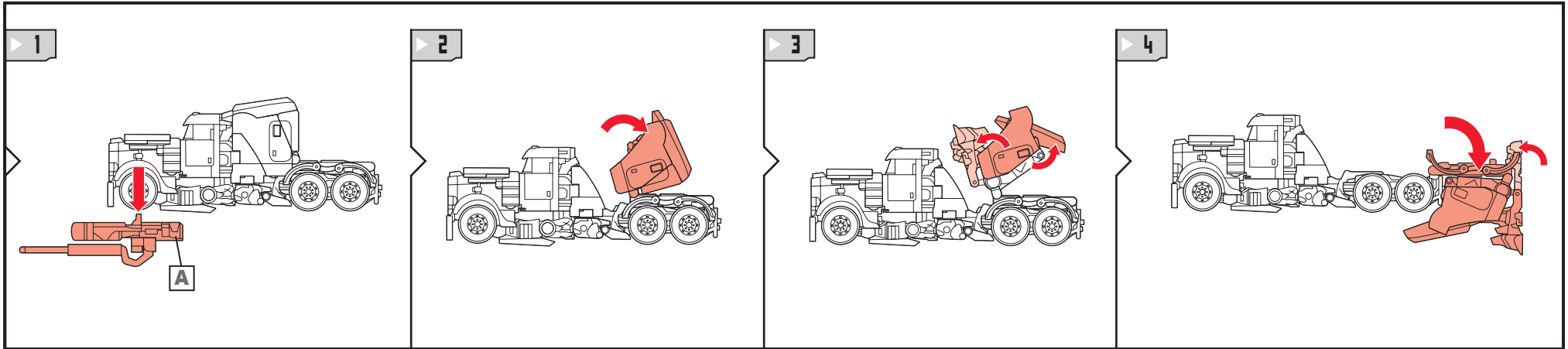
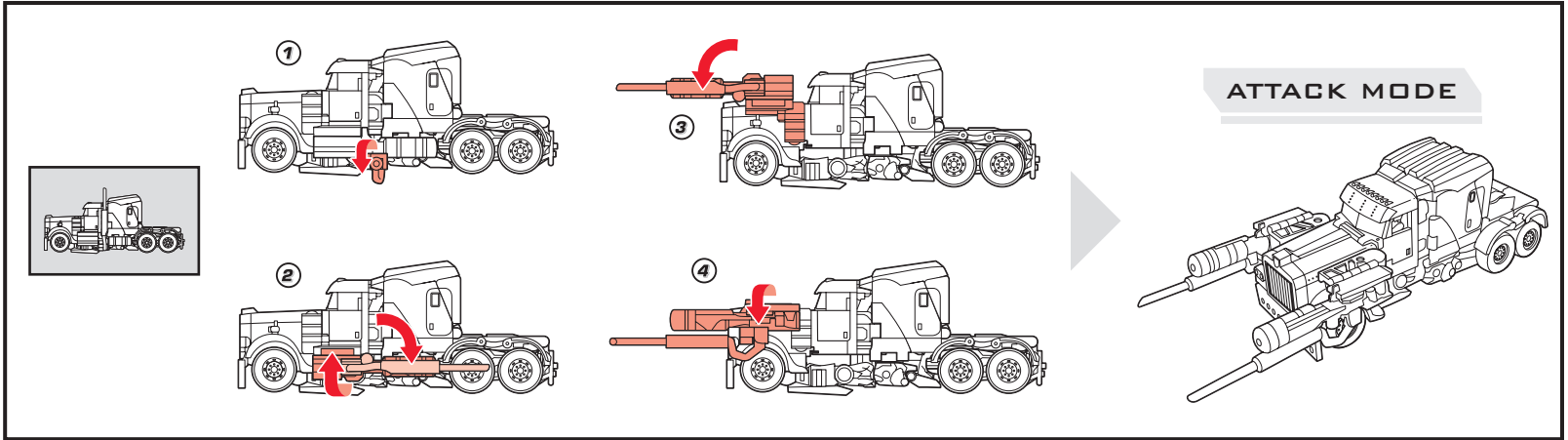
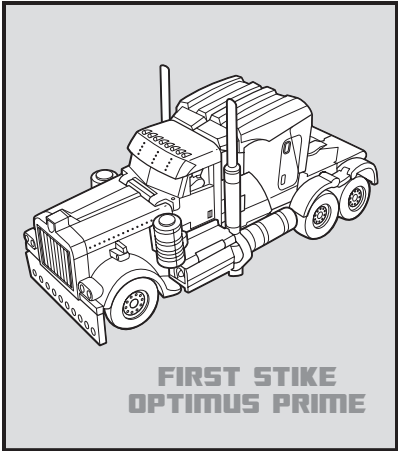
**FIRST STRIKE
OPTIMUS PRIME**

AGES 5+
83529/81060 Asst.

NOTE: Some parts are made to detach if excessive force is applied and are designed to be reattached if separation occurs. Adult supervision may be necessary for younger children.

TRANSFORMERS.COM

CHANGING TO ROBOT



REVERSE ORDER OF INSTRUCTIONS
TO CONVERT BACK INTO VEHICLE.

